

# DOOR AWNING : PN SERIES

## MULTIPLE AWNING INSTALLATION INSTRUCTION

For safety reasons, please carefully read and understand all written instructions and warnings in the main Door Awning: PN Series User's Manual prior to assembling or installing this product.

① Follow the PN Series User's Manual instruction, assemble and install the first awning (A).

② There are (2) options for the next step. **Option 1:** Assemble the next awning (B1) the same way as awning (A). Leave out the awning bracket on the side you want to connect the two awnings. **Beware this option can make it difficult to insert the awning (B) sheet into the awning (A) bracket.**

**Option 2:** Assemble awning (B2). Leave out the rubber strip and awning bracket on the connecting side. Fill the awning (A) bracket groove with 24 hour silicone.

③ Insert the front corner of the assembled awning (B) sheet into the awning (A) bracket first.

④ Slowly guide the rest of the awning (B) sheet into the awning (A) bracket groove.

⑤ Use a rubber hammer and wood block to tap the awning tightly into place.

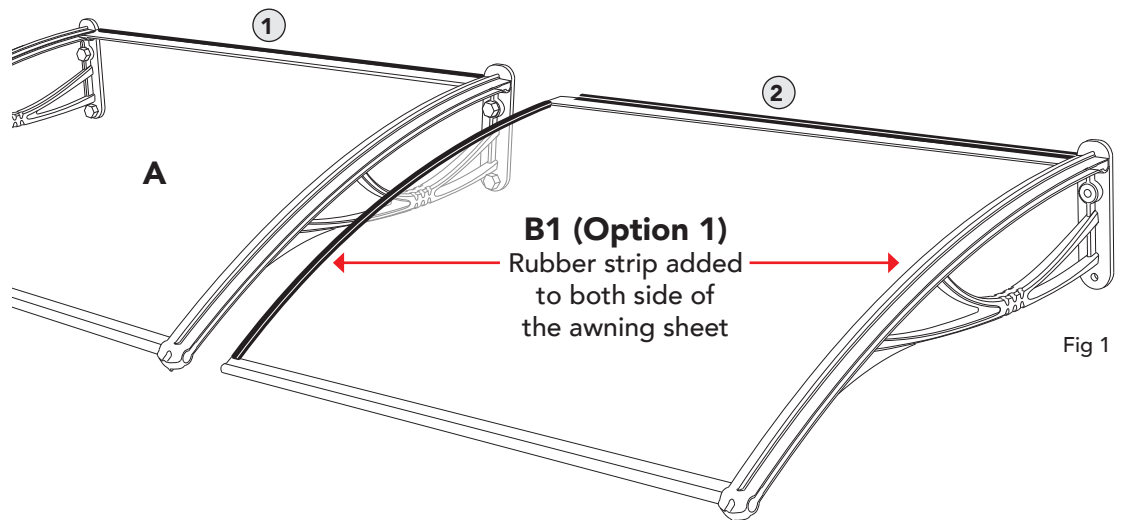


Fig 1

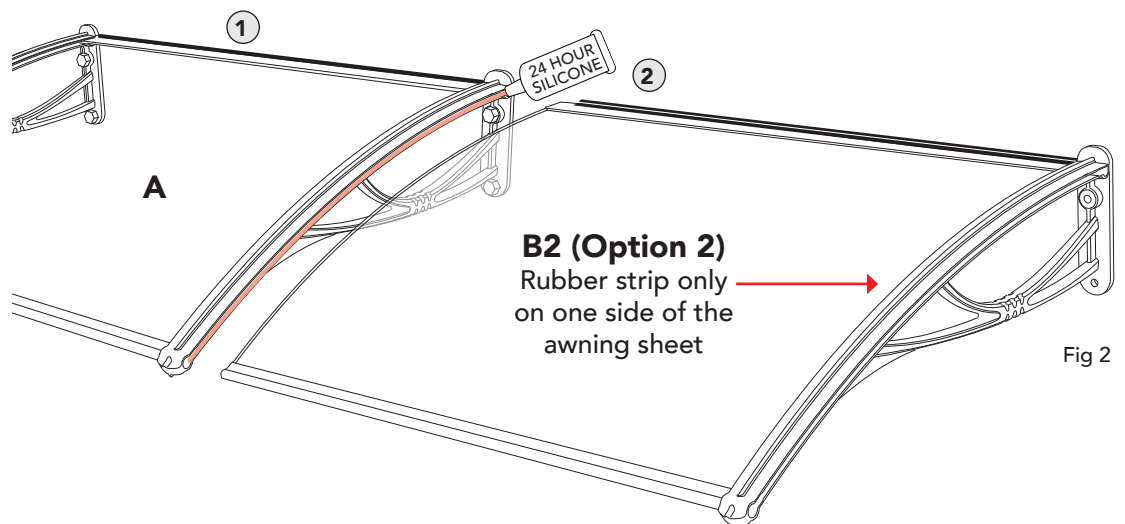


Fig 2

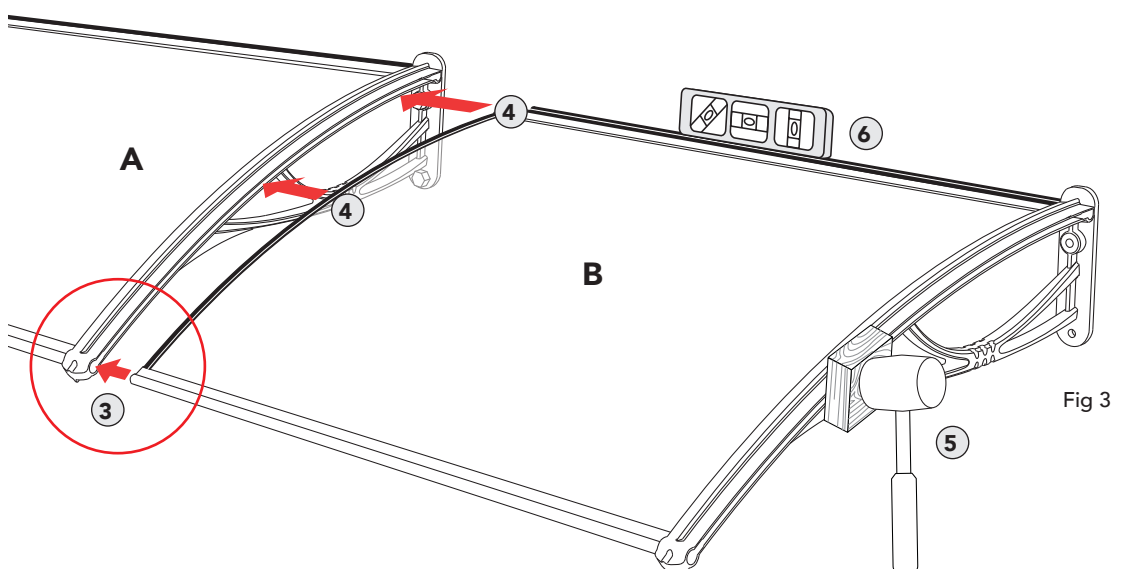


Fig 3

- ⑥ Use a level to make sure the add-on awning is leveled.
- ⑦ Drill the (2) mounting holes with drill bit.
- ⑧ Fill the mounting holes with 24 hour silicone.
- ⑨ Insert the lag screws through the washers into the silicone filled holes.

**NOTE:** Use a level to ensure that the awning is leveled.

- ⑩ Tighten the lag screws with a wrench.
- ⑪ Once the door awning has been securely mounted to the wall, apply 24 hour silicone around all screws to create a watertight seal.

- ⑫ Apply 24 hour silicone to the wall edge of the Door Awning.

**NOTE:** Please allow 24 hours for the silicone to fully set.

- ⑬ Repeat the steps to connect additional PN awnings.

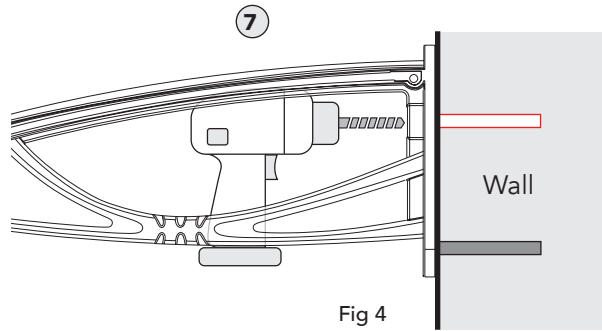


Fig 4

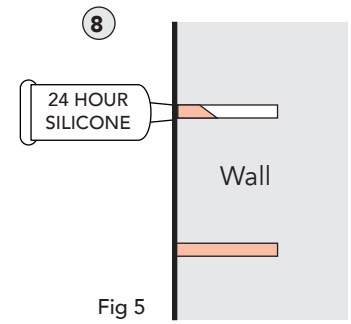


Fig 5

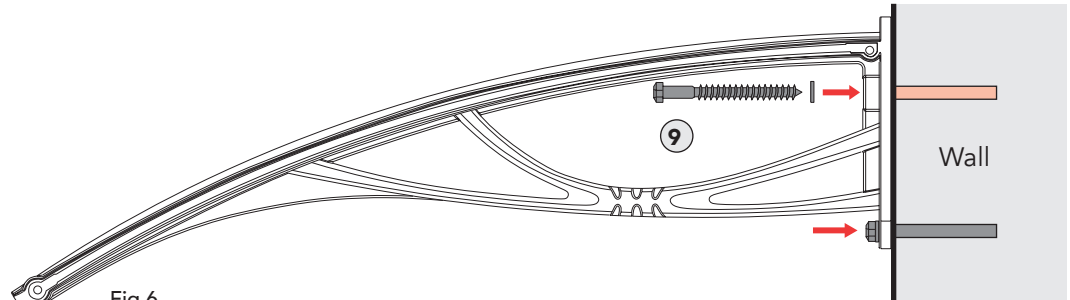


Fig 6

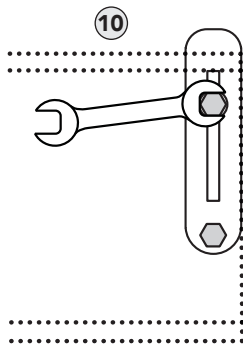


Fig 7

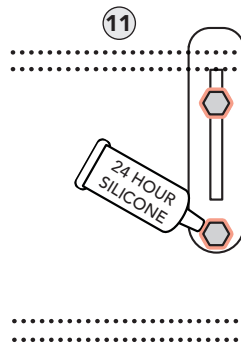


Fig 8

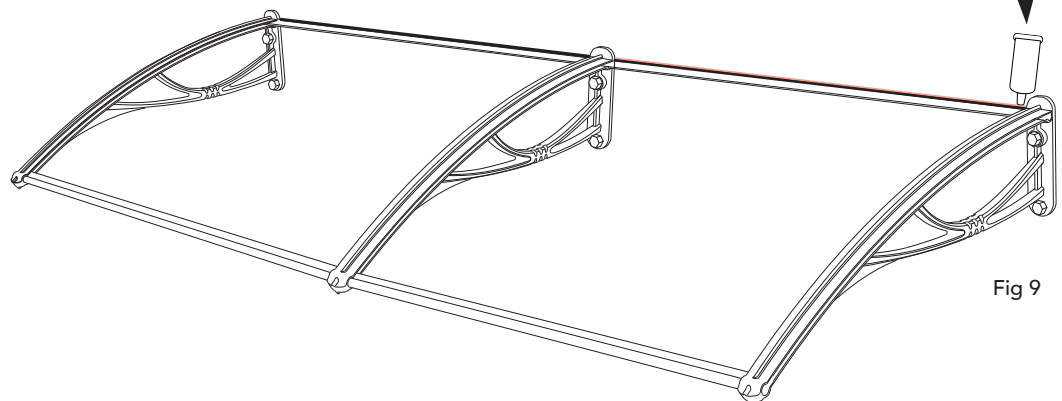
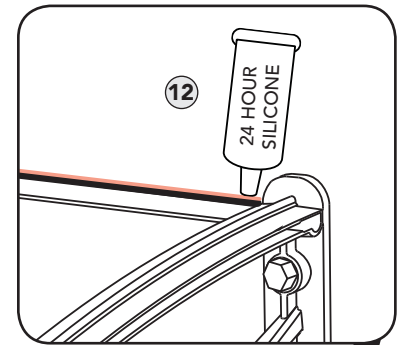


Fig 9