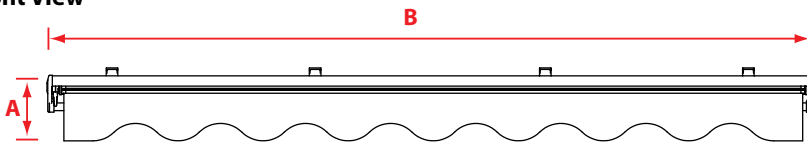


C SERIES Dimensions Table

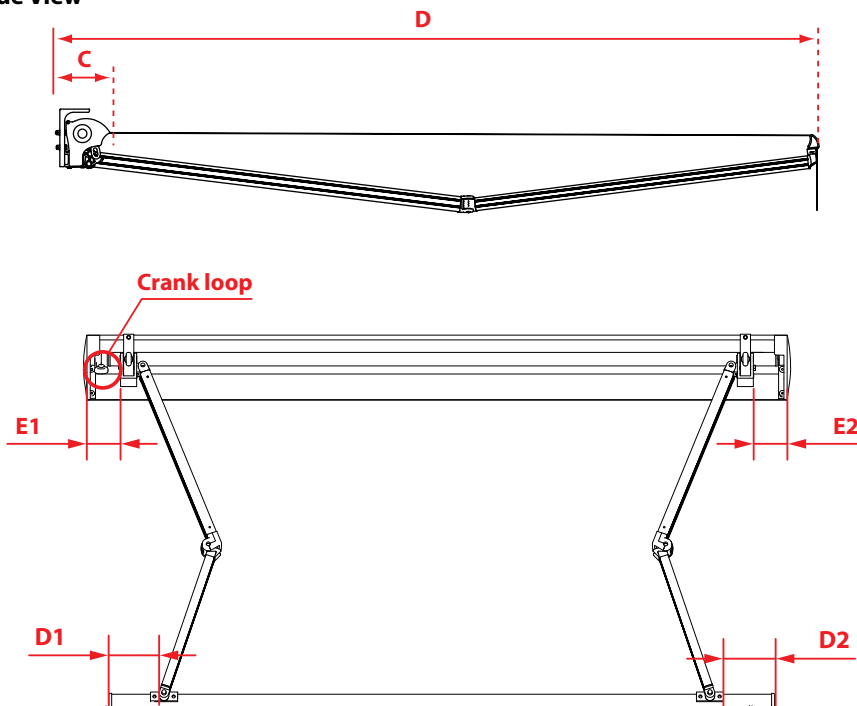
Style	Size (ft)	Actual Product Weight (lbs)	A (in)		B (in)		C (in)		D (in)	
			Height : Top to Bottom	Width: Side to Side	Min Depth : Front to Back	Max Depth : Front to Back	E1 (in)	E2 (in)	D1 (in)	D2 (in)
Manual	8 x 6.5	58.4	9.8	98	7.7	79	3.3	3.3	6.5	7.9
	10 x 8	68.3	9.8	118	7.7	98	3.9	3.9	7.1	8.5
	12 x 10	82.7	9.8	144	7.7	118	5.3	5.3	8.5	9.8
	13 x 10	87.1	9.8	157	7.7	118	11.8	11.8	15.2	16.5
	16 x 10	103.6	9.8	197	7.7	118	23.8	23.8	27.0	28.3
Electric	8 x 6.5	66.1	9.8	98	7.7	79	3.3	3.3	6.5	7.9
	10 x 8	76.1	9.8	118	7.7	98	3.9	3.9	7.1	8.5
	12 x 10	90.4	9.8	144	7.7	118	5.3	5.3	9.1	9.4
	13 x 10	94.8	9.8	157	7.7	118	11.8	11.8	14.6	16.7
	16 x 10	114.6	9.8	197	7.7	118	23.8	23.8	26.6	28.7

The listed measurements are for general reference only. Please always consult a professional installer for advice on proper hardware and installation. Note: Data Error ±10~20%.

Front View



Side View



C series
Dual-use Bracket

