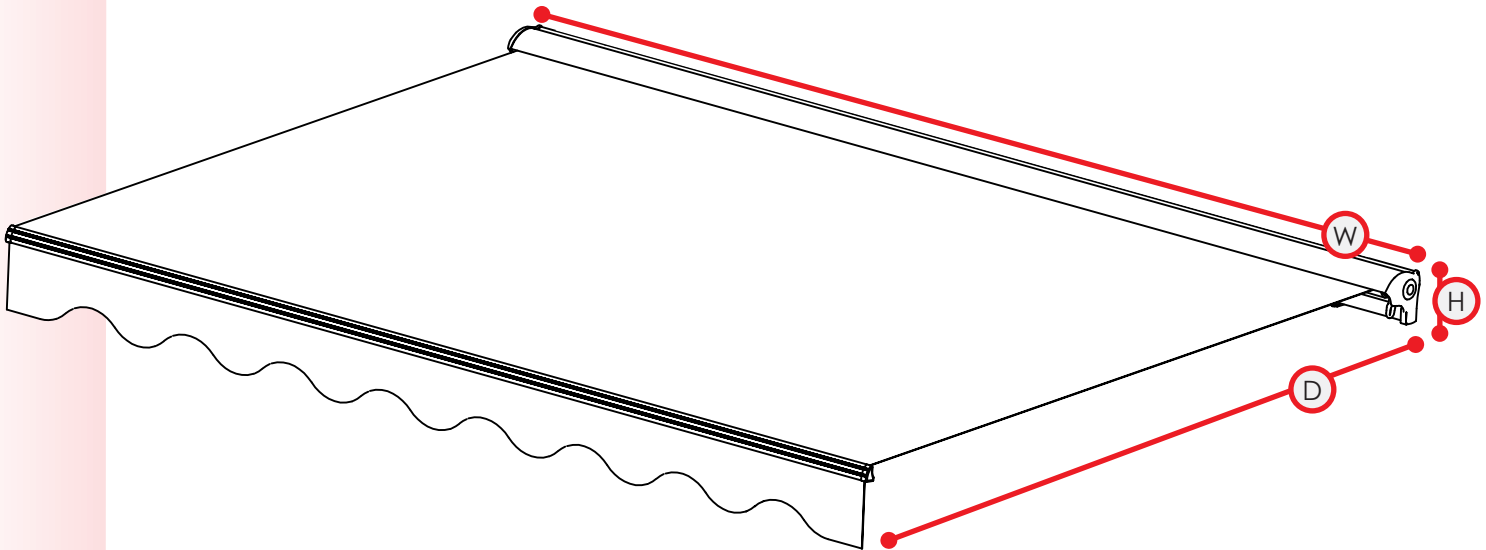
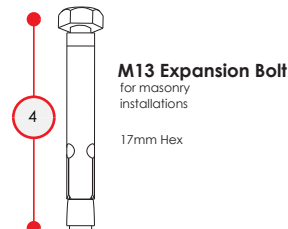
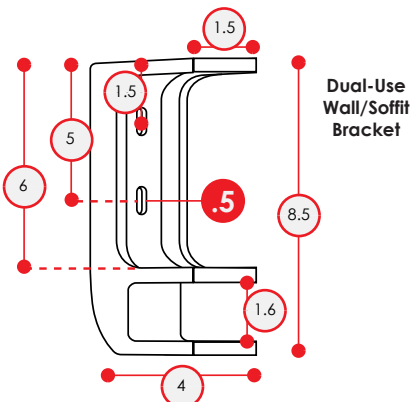
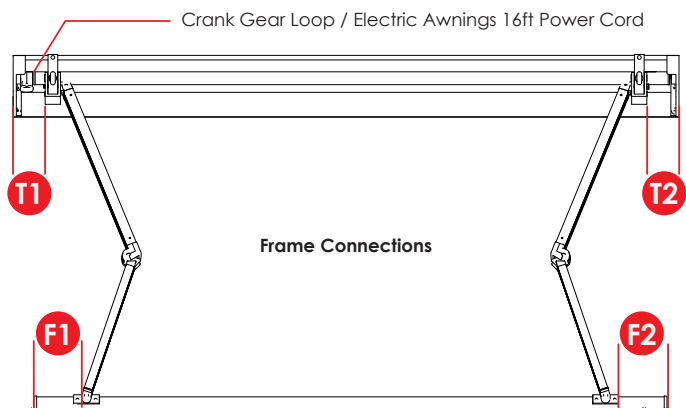
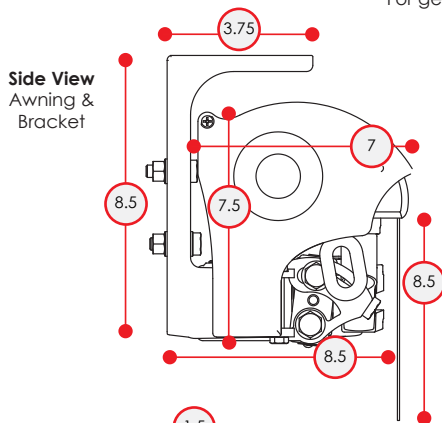


## Luxury Series Retractable Awning Dimensions



Operation Type	Size	DxWxH	T1	T2	F1	F2	Weight	Bracket Qty
Manual	8' x 6'	78" x 97" x 8.5"	3.9"	3.9"	6.3"	8"	62 lbs	2
	10' x 8'	98" x 118" x 8.5"	4.5"	4.5"	7.6"	8.9"	80 lbs	2
	12' x 10'	118" x 142" x 8.5"	5.7"	5.7"	9.8"	11.6"	95 lbs	3
Electric	10' x 8'	98" x 118" x 8.5"	4.5"	4.5"	7.6"	8.9"	84 lbs	2
	12' x 10'	118" x 142" x 8.5"	5.7"	5.7"	9.8"	11.6"	99 lbs	3
	14' x 10'	118" x 165" x 8.5"	16.5"	16.5"	21.3"	22.6"	112 lbs	4
	16' x 10'	118" x 189" x 8.5"	21.7"	21.7"	28.1"	29.9"	122 lbs	5

For general reference only - always consult with a professional installer. Note Deviation/Error ±5-7%



Listed measurements are provided in inches unless otherwise specified.

**Questions Comments Concerns**

email: [service@advaning.com](mailto:service@advaning.com)