

Masonry installation

For installing Advaning's PN series onto solid brick or solid concrete wall/ surface.

CAUTION: To avoid potential collapse and personal injury, only install brackets securely to solid brick and not in the grout.

NOTE: Minimum of 2 or more people to install

- ① Hold the assembled Door Awning in the area you want to install it and use a level to ensure that the Door Awning is leveled.
- ② With a Marker or Pencil mark the hole positions of top and bottom drill points.

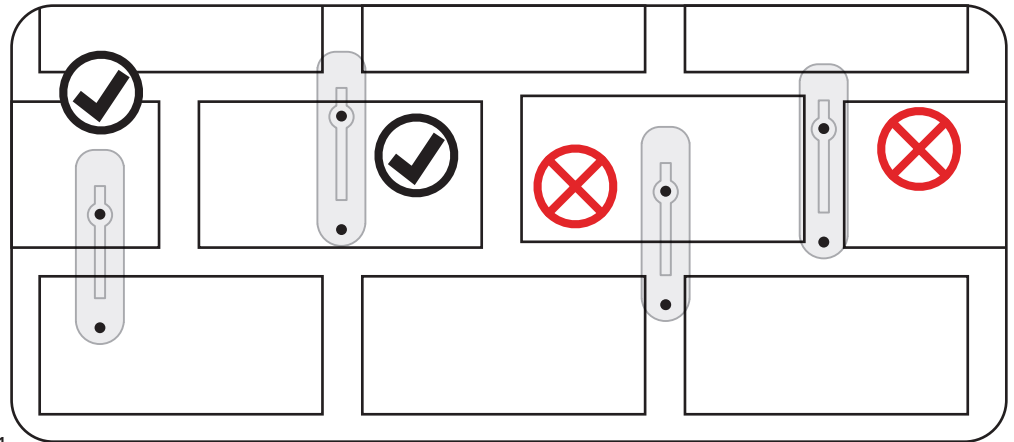


Fig 1

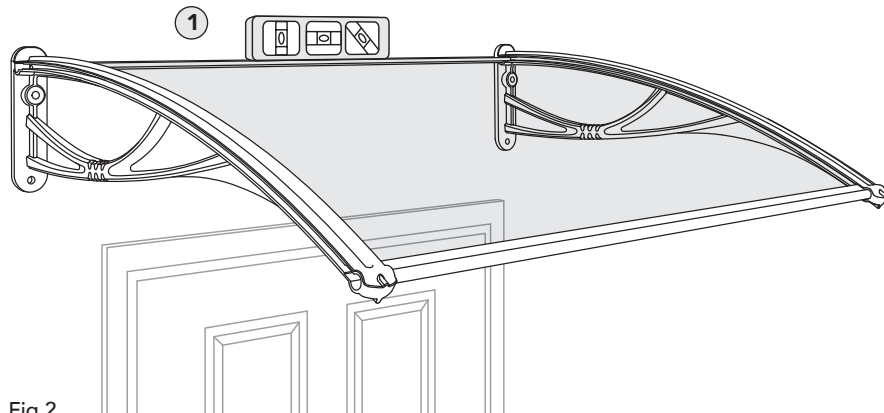


Fig 2



Fig 3

- ③ With a 3/8" x 4" masonry drill bit

Top hole: Drill between 2 1/4" to 2 1/2" deep for each bracket.

Bottom hole: Drill between 2 3/4" to 3" deep for each bracket.

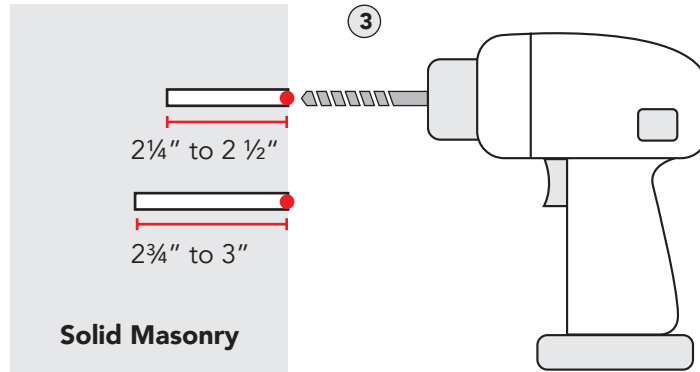


Fig 4

- ④ Remove excess dust and debris from holes with a tube brush or vacuum.

- ⑤ Place assembled door awning over drilled holes and align brackets.

- ⑥ Insert the expansion bolt through the bracket until flush.

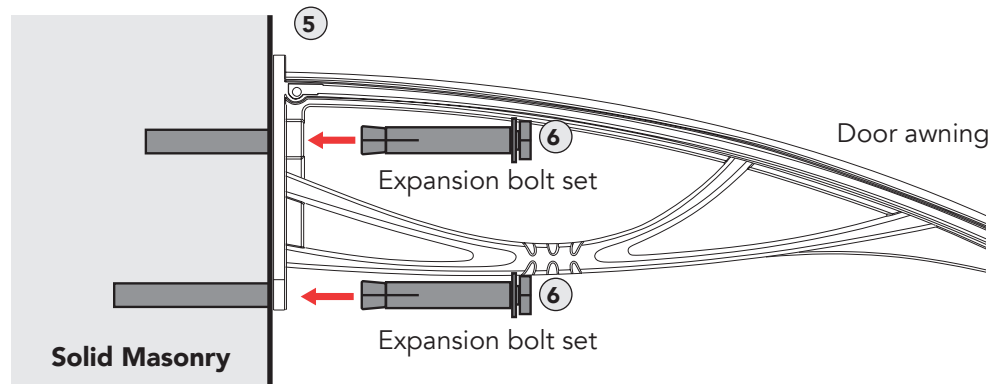


Fig 5

NOTE: You may need to tap the expansion bolt with a mallet to ensure the bolt is flush with the bracket.

- ⑦ Using a 1/2" female socket and driver lightly tighten the hex bolts.

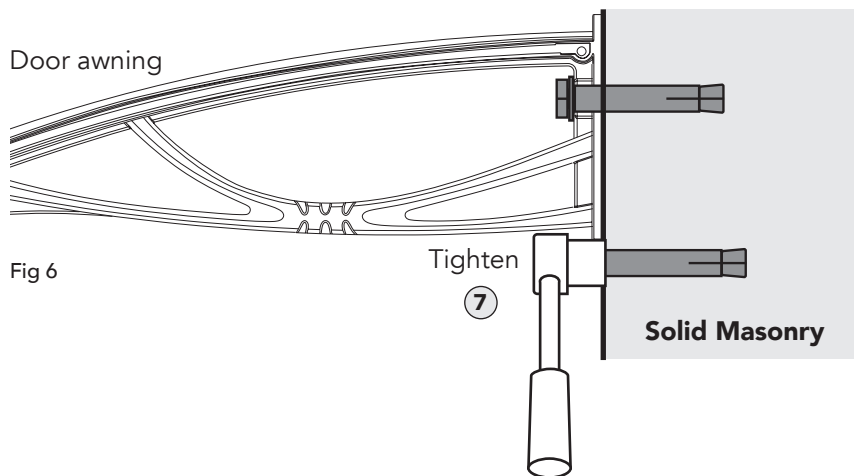


Fig 6

CAUTION: Do Not Overtighten as this can damage the bracket.

- ⑧ Repeat step 7~8 for all brackets and tighten to secure as needed.