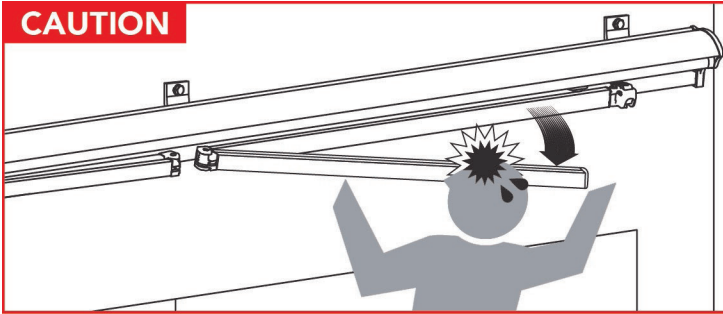


SG SERIES Dimensions Table

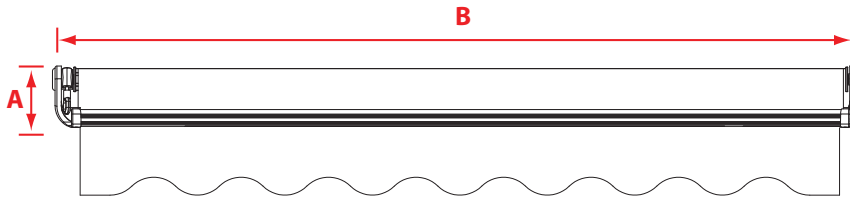


The awning arms contain tensioned cables. Always use caution, securely tie the awnings arms to the awning when performing installation, adjustments, or repairs. Sudden movement of tension arms can result in serious personal injury, product and/or property damage.

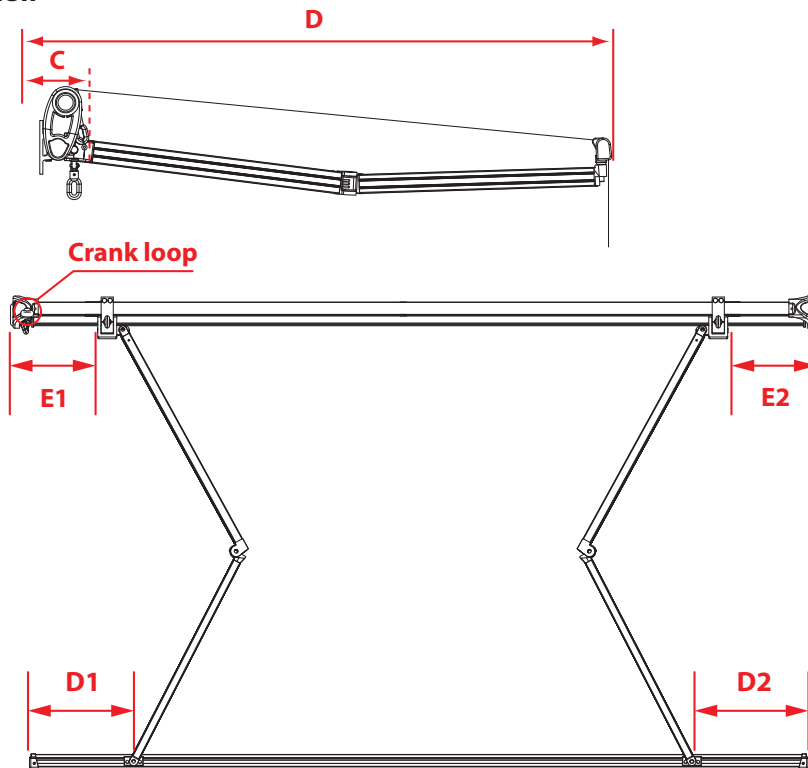
Style	Size	Actual Product Weight (lbs)	A	B	C	D	E1	E2	D1	D2
			Height (Top to Bottom)	Width (Side to Side)	Min Depth (Front to Back)	Max Depth (Front to Back)				
Manual	12' x 10'	63.93	13.00"	142.00"	5.50"	118.00"	5.90"	5.90"	9.10"	10.20"
	14' x 10'	74.96	13.00"	165.00"	5.50"	118.00"	13.80"	13.80"	16.90"	18.10"

The listed measurements are for general reference only. Please always consult a professional installer for advice on proper hardware and installation. Note: Data Error ±10~20%.

Front View



Side View



**SG series
Wall Bracket**

