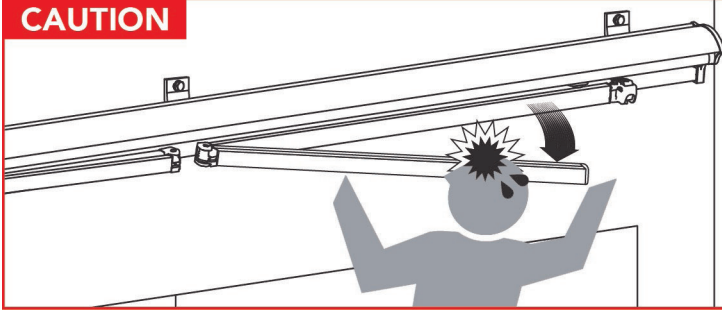
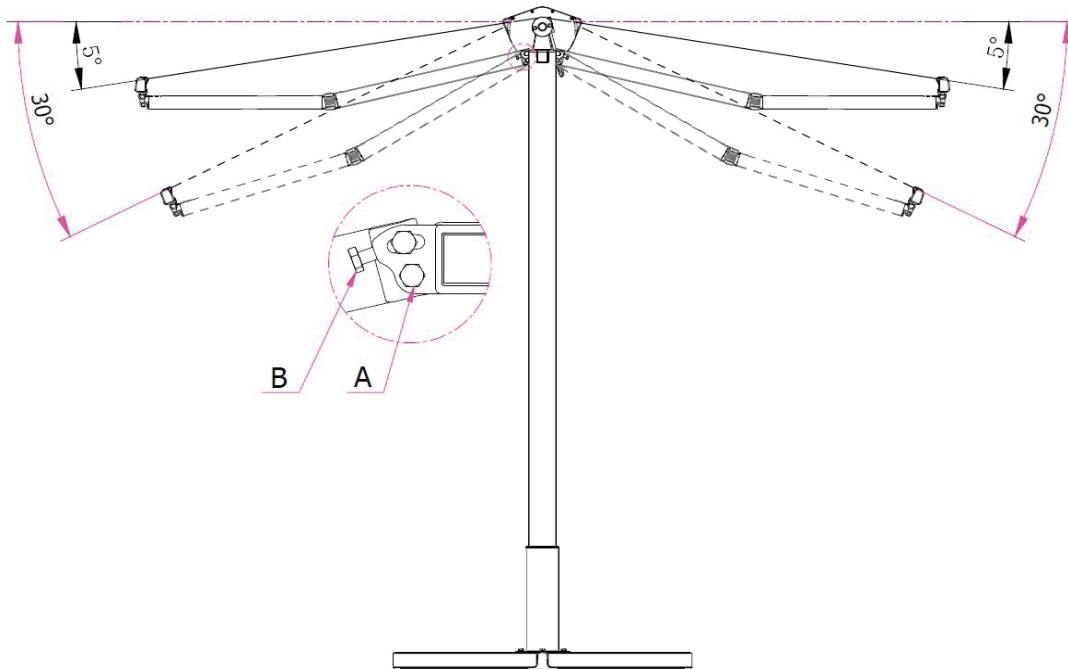
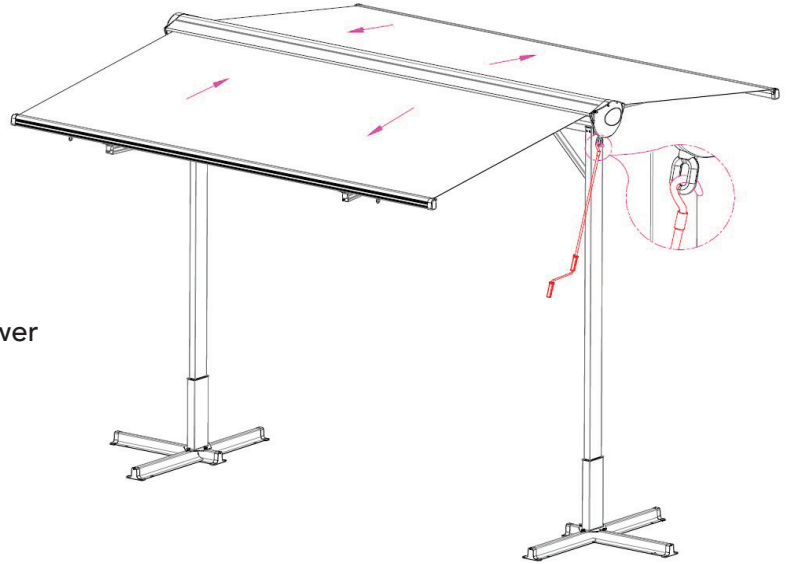


CAUTION



The awning arms contain tensioned cables. Always use caution, securely tie the awnings arms to the awning when performing installation, adjustments, or repairs. Sudden movement of tension arms can result in serious personal injury, product and/or property damage.

- ① Open the awning to about 1/2 projection.
- ② With a helper supporting the front bar, loosen the Screw A to 1/2 turn.
Do not loosen or remove the Screw A completely.
- ③ Adjust the Screw B to raise or lower the front bar.
 - a. Turn Screw B to the right (clockwise) to raise the front bar.
 - b. Turn Screw B to the left (counter clockwise) to lower the front bar.
- ④ Make sure the front bar is level.
- ⑤ Tighten the Screw A.
- ⑥ Repeat for the other arm.



Our team prides itself on quality in product and service.

Should you have any concerns or questions, do not hesitate to reach us at service@advaning.com

Our team prides itself on quality in product and service. Should you have any concerns or questions, do not hesitate to reach us at service@advaning.com. - www.advanding.com | Toll Free (US): (855) 574-0158